



SWIF *TEN* RACKING SYSTEM DATA SHEETS

SWIF Rack LLC
2850 Industrial Avenue
Hubbard, OR 97032
MAIN: (541) 490-0536
INFO@**SWIFRACK**.com
SUPPORT@**SWIFRACK**.com
SALES@**SWIFRACK**.com

CLASS A FIRE RATING  UL 2703 CERTIFIED  25-YEAR WARRANTY

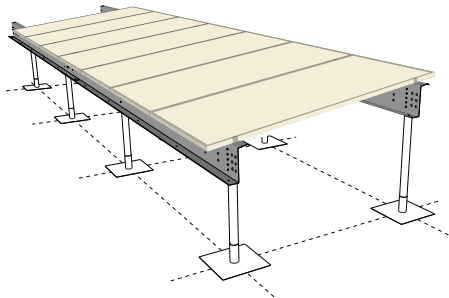
www.**SWIFRACK**.com
20260107

SWIF *TEN* RACKING SYSTEM SYSTEM OVERVIEW

TWO CUSTOMIZABLE CONFIGURATIONS

SINGLE PANEL ARRAY

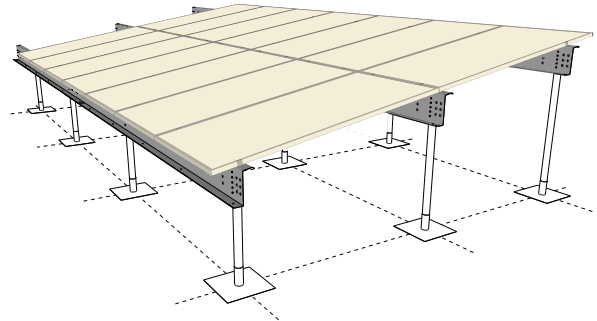
- (2) RAILS support a single row of panels.



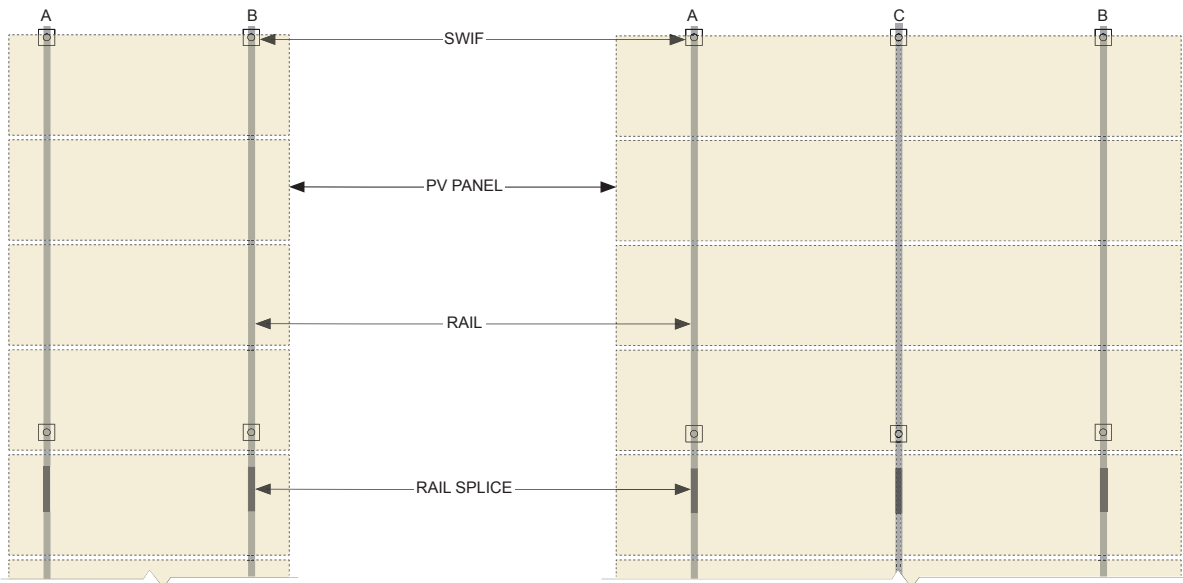
PLAN

TWO PANEL SHARED RAIL ARRAY

- (3) RAILS support two rows of panels.
- The panels share the middle rail for support.

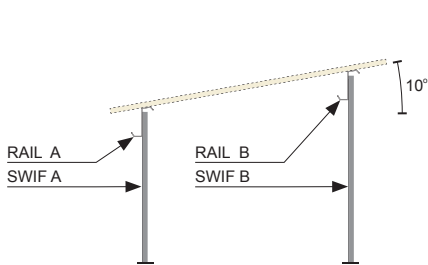


PLAN

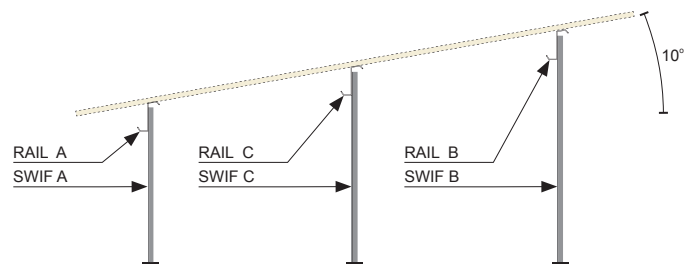


ELEVATION

ELEVATION



SECTION



SECTION

CLASS A FIRE RATING / UL 2703 CERTIFIED / 25-YEAR WARRANTY

www.SWIFRACK.com
20260107

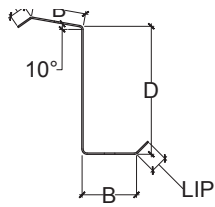
SWIF *TEN* RACKING SYSTEM

RAIL DATA SHEET

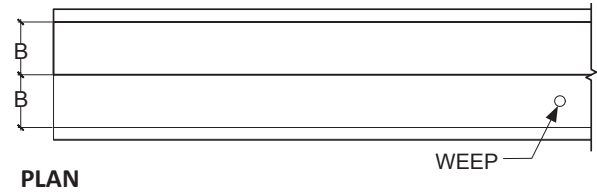
MATERIALS + FABRICATION

- Hot Rolled Steel, 55 KSI. Conforms to ASTM A653.
- G90 Galvanized Coating Resists Corrosion.
- Custom Lengths Fabricated for Each Project.

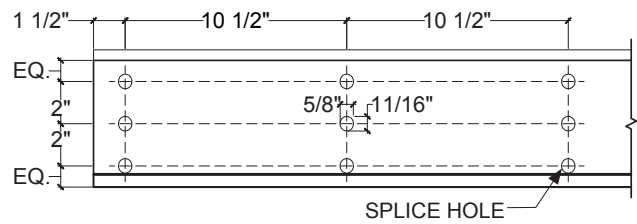
PART # [DDGG]	D (in)	G (gauge)	B (in)	LIP (in)	Ixx (in4)	AREA (in2)
0616	06	16	2.5	0.69	4.13	0.72
0614	06	14	2.5	0.72	5.14	0.9
0814	08	14	2.5	0.78	10.15	1.06
0812	08	12	2.5	0.83	14.09	1.48



SECTION PROFILE

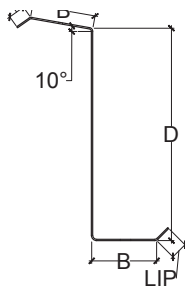


PLAN

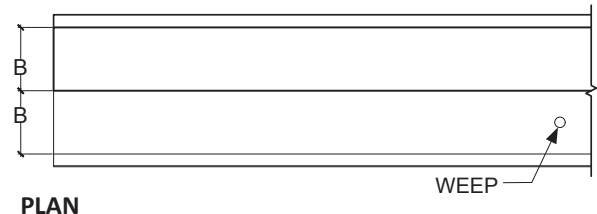


ELEVATION

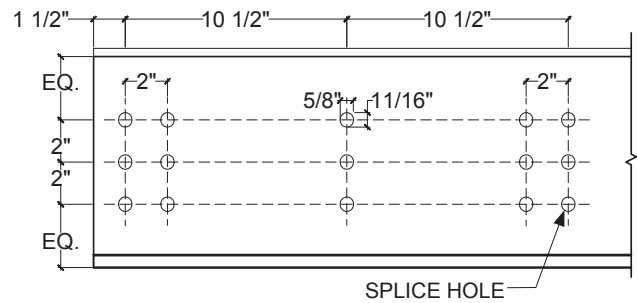
PART # [DDGG]	D (in)	G (gauge)	B (in)	LIP (in)	Ixx (in4)	AREA (in2)
1014	10	14	3	0.78	19.08	1.28
1012	10	12	4	0.83	31.69	2.01
1212	12	12	4	0.99	48.39	2.22



SECTION PROFILE



PLAN



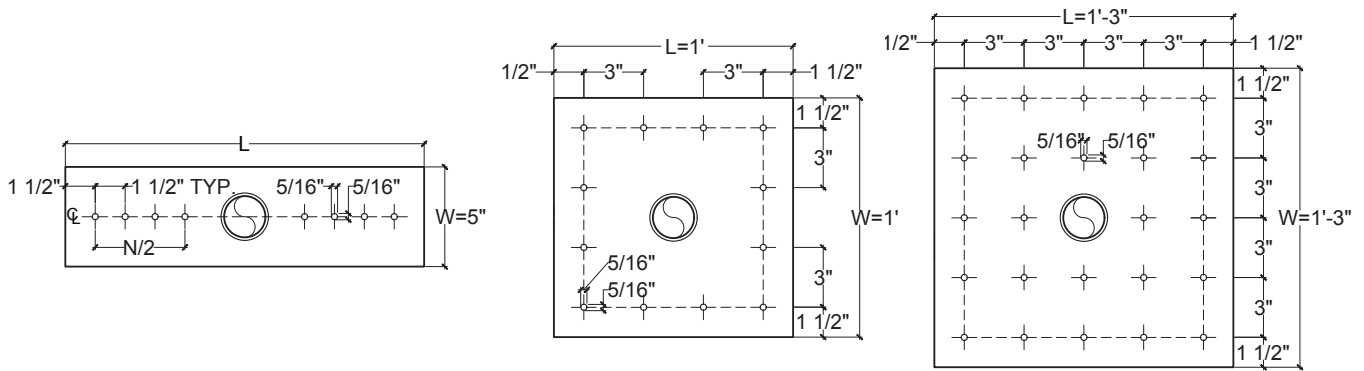
ELEVATION

SWIF *TEN* RACKING SYSTEM

SWIF DATA SHEET

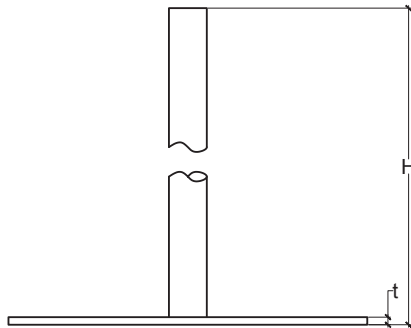
MATERIALS + FABRICATION

- Pipe Steel, 35 KSI. Conforms to ASTM A53.
- Plate Steel, 36 KSI. Conforms to ASTM A36.
- Hot Dip G90 Galvanized Coating Resists Corrosion. Conforms to ASTM A-123 / ASTM A-153.
- Pre-designed Foot Configurations + SWIF-to-Roof Fastener Types for different building structure types.
- Per Customer Design (PCD) option for bespoke SWIF Foot configurations to address unique structural conditions.

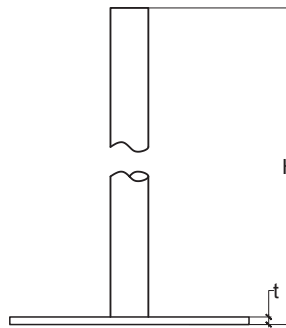


PLAN - WF / LGP

PLAN - WD / CD



ELEVATION - WF / LGP



ELEVATION - WD / CD

SWIF WOOD FRAMING (WF) SCHEDULE

(Designed for $1/4"$ Φ Simpson SDS screw w/ $1\ 1/2"$ min. Penetration into Joist)

PART # [##_XX_##]*	PIPE I.D. (in)	"L" Plate (in)	"t" Plate (in)	N (screws) (#)
20_WF_36/45/48/60	2" Std.	15	3/8	6
25_WF_36/45/48/60	2 1/2" Std.	18	3/8	8
30_WF_36/45/48/60	3" Std.	22	1/2	10
35_WF_36/45/48/60	3 1/2" Std.	25	5/8	12

SWIF LIGHT GAUGE PURLIN (LGP) SCHEDULE

(Designed for $1/4"$ Φ SMS into 16 gauge Minimum Purlin)

PART # [##_XXX_##]*	PIPE I.D. (in)	"L" Plate (in)	"t" Plate (in)	N (screws) (#)
20_LGP_36/45/48/60	2" Std.	18	3/8	8
25_LGP_36/45/48/60	2 1/2" Std.	21	1/2	10
30_LGP_36/45/48/60	3" Std.	25	5/8	12
35_LGP_36/45/48/60	3 1/2" Std.	28	5/8	14

SWIF WOOD DECKING (WD) SCHEDULE

(Designed for $1/4"$ Φ Simpson SDS)

SWIF CONCRETE DECKING (CD) SCHEDULE				
(Designed for $1/4"$ Φ Titen Turbo)				
PART # [##_XX_##]*	PIPE I.D. (in)	"L" Plate (in)	"t" Plate (in)	N (screws) (#)
20_WD/CD_36/45/48/60	2" Std.	12	3/16	12
25_WD/CD_36/45/48/60	2 1/2" Std.	12	3/16	12
30_WD/CD_36/45/48/60	3" Std.	15	1/4	24
35_WD/CD_36/45/48/60	3 1/2" Std.	15	1/4	24

SWIF PER CUSTOMER DESIGN (PCD) SCHEDULE

(Fastener Selection and Attachment Details Defined by Others)

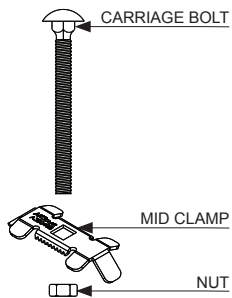
PART # [##_XXX_##]*	PIPE I.D. (in)	"L" Plate (in)	"W" Plate (in)	"t" Plate (in)	WELD SIZE	N (HOLES) (#)	HOLE DIAMETER
20_PCD_36/45/48/60	2" Std.	Custom	Custom	Custom	Custom	Custom	Custom
25_PCD_36/45/48/60	2 1/2" Std.	Custom	Custom	Custom	Custom	Custom	Custom
30_PCD_36/45/48/60	3" Std.	Custom	Custom	Custom	Custom	Custom	Custom
35_PCD_36/45/48/60	3 1/2" Std.	Custom	Custom	Custom	Custom	Custom	Custom

*Part Number Format: [##_XX or XXX_##]
[PIPE I.D. (inches)_ROOF STRUCTURE TYPE_SWIF HEIGHT (inches)]

SWIF *TEN* RACKING SYSTEM HARDWARE DATA SHEET

MIDCLAMP ASSEMBLY

- 316 Stainless Steel
- Bond Modules + RAILS
- MIDCLAMP ASSEMBLY Carriage Bolt Detail Resists Rotation for Simple Install

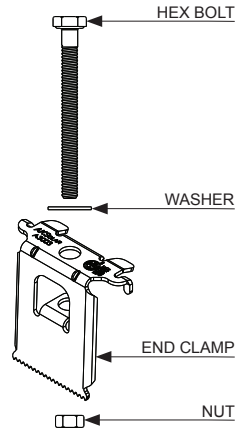


MIDCLAMP ASSEMBLY SCHEDULE		
PART # [M##]	PV FRAME DEPTH (mm)	FASTENER LENGTH (in)
M20	< 40	2.0
M25	40 - 49	2.5
M30	50 (+)	3.0

Additional fastener lengths may be available upon request.

ENDCLAMP ASSEMBLY

- 316 Stainless Steel
- Bond Modules + RAILS
- ENDCLAMP ASSEMBLY Offered in Multiple Sizes to Accommodate Different Module Frames



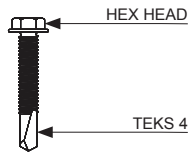
ENDCLAMP ASSEMBLY SCHEDULE		
PART # [E##_##]	PV FRAME DEPTH (mm)	FASTENER LENGTH (in)
E30_20	30	2.0
E35_20	35	2.0
E40_25	40	2.5
E45_25	45	2.5
E50_30	50	3.0

Additional fastener lengths may be available upon request.

SELF DRILLING BOLT

PART # TKS1420

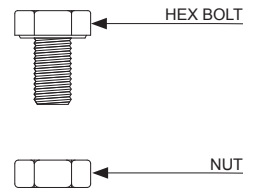
- RAIL to SWIF Fastener
- ASTM B117 Corrosion - Resistant Finish
- TEKS 4 Drill Point



SPLICE BOLT

PART # SB05

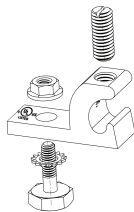
- RAIL to RAIL SPLICE Fastener
- 316 Stainless Steel



GROUNDING LUG

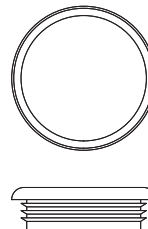
PART # AH010

- Includes All Hardware
- Accepts 4-12 AWG Solid Copper Conductors



SWIF CAP

- Ribbed Secure Fit
- Gasket for Improved Seal



SWIF CAP SCHEDULE	
PART # [SC_##]	SWIF LEG ID (in)
SC_20	2.0
SC_25	2.5
SC_30	3.0
SC_35	3.5

CLASS A FIRE RATING / UL 2703 CERTIFIED / 25-YEAR WARRANTY